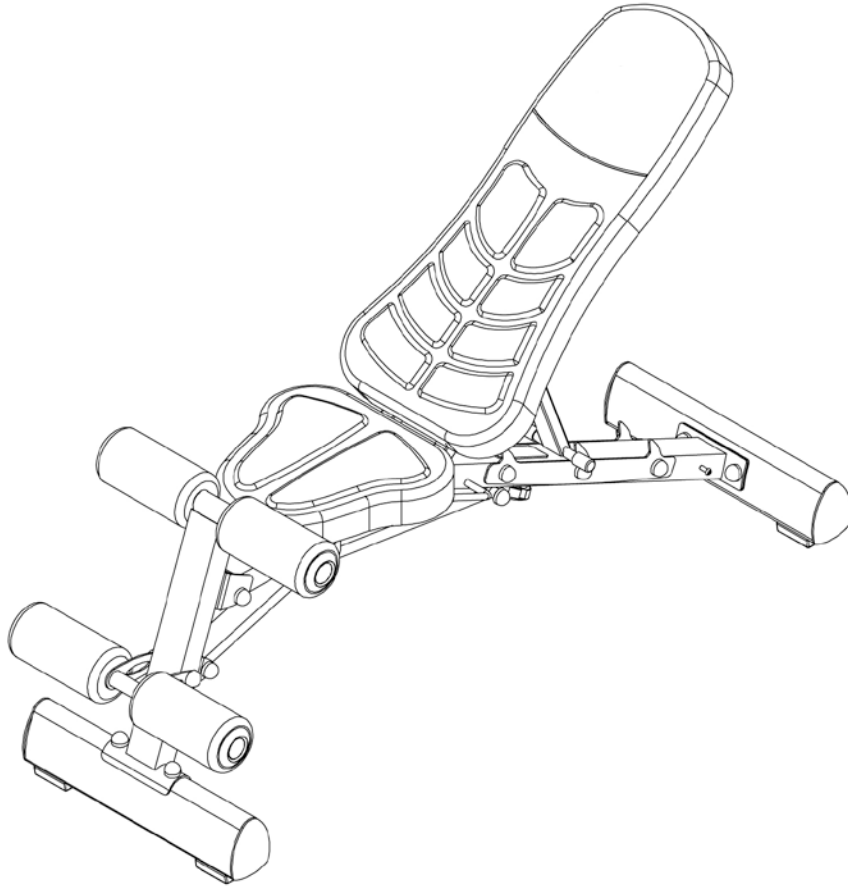


MARCY®

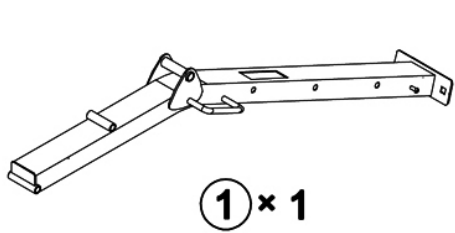
UTILITY BENCH SB-10100



IMPORTANT: Please read the Important Safety Notice and Assembly Information in the Owner's manual before assembling this product.

Assembly Manual

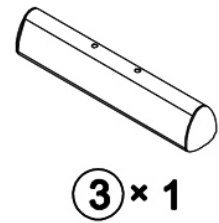
150602



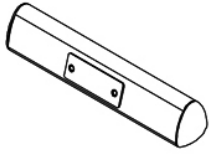
① × 1



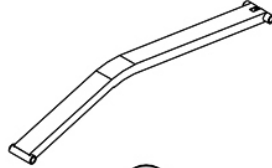
② × 1



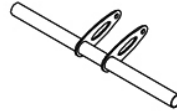
③ × 1



④ × 1



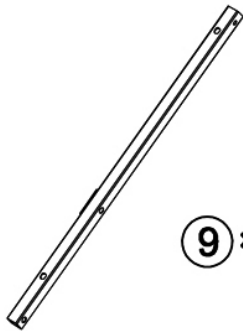
⑤ × 1



⑥ × 1



⑧ × 2



⑨ × 2



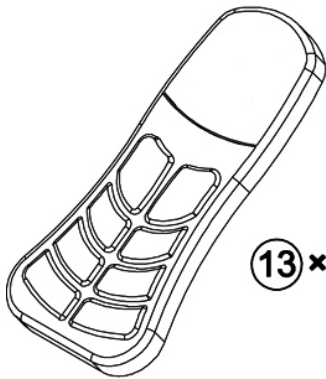
⑩ × 1



⑪ × 1



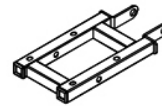
⑫ × 1



⑬ × 1



⑮ × 4



⑰ × 1



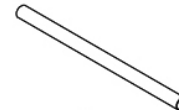
⑱ × 1



⑲ × 1



⑳ × 4



㉑ × 1



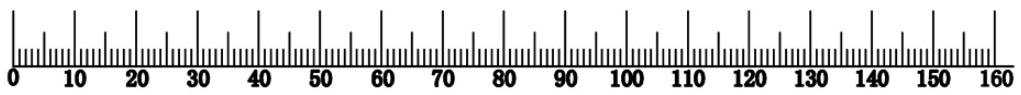
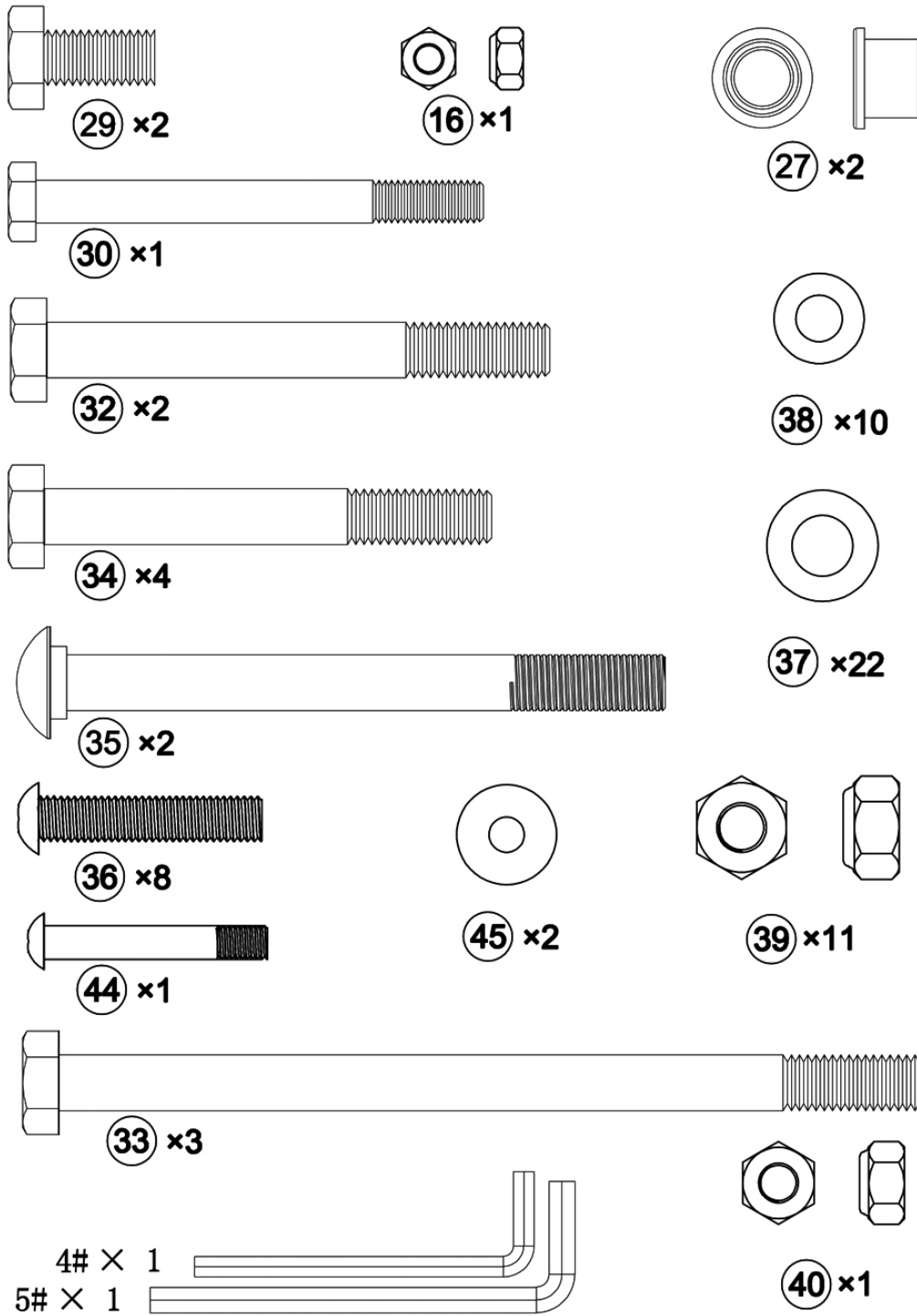
㉕ × 22

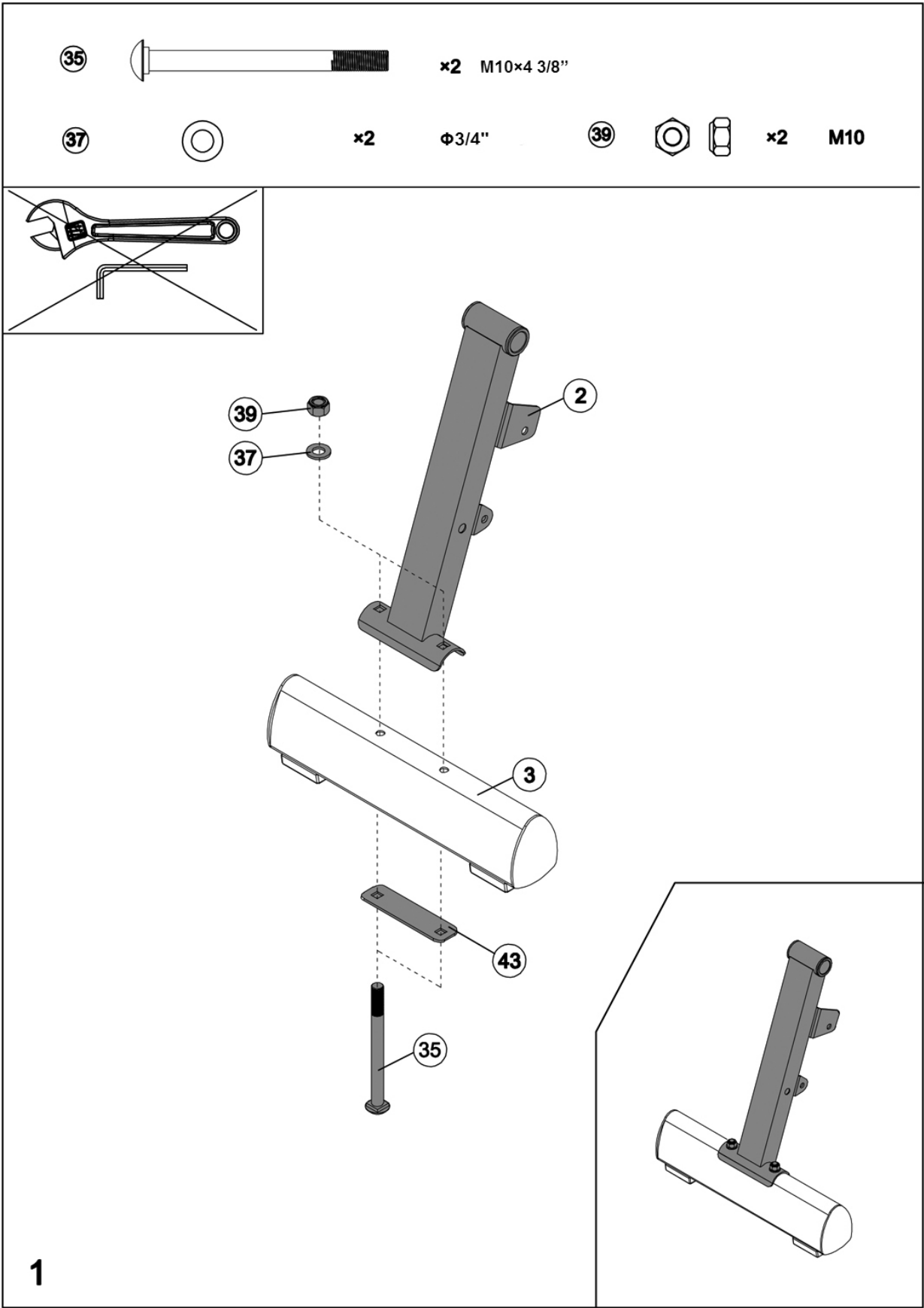


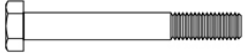
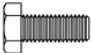


㉖ × 2

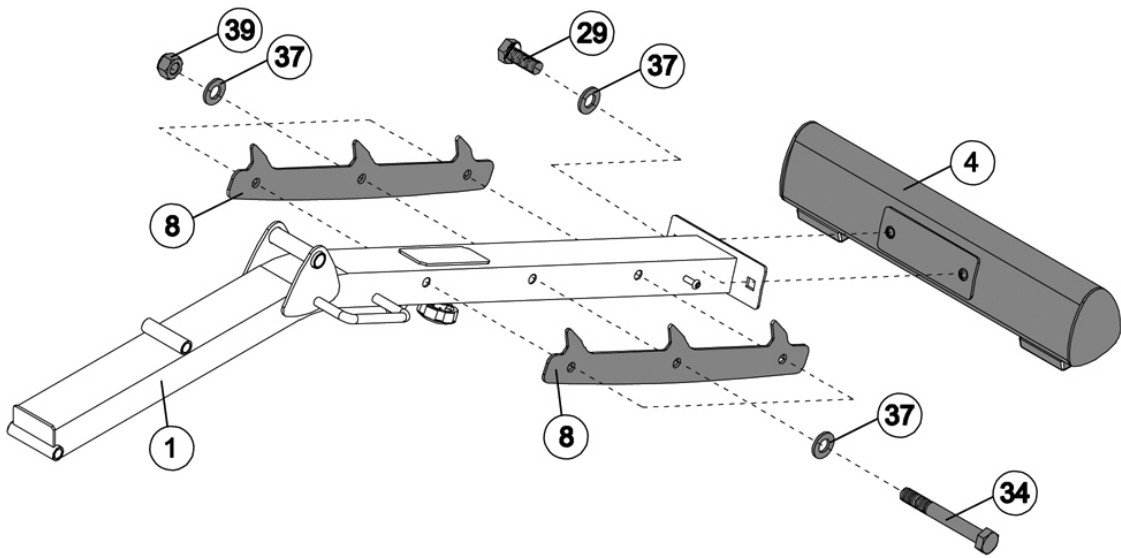
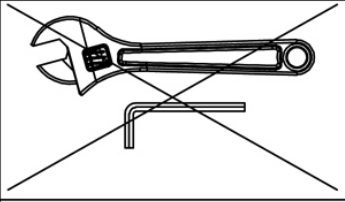


④③ × 1

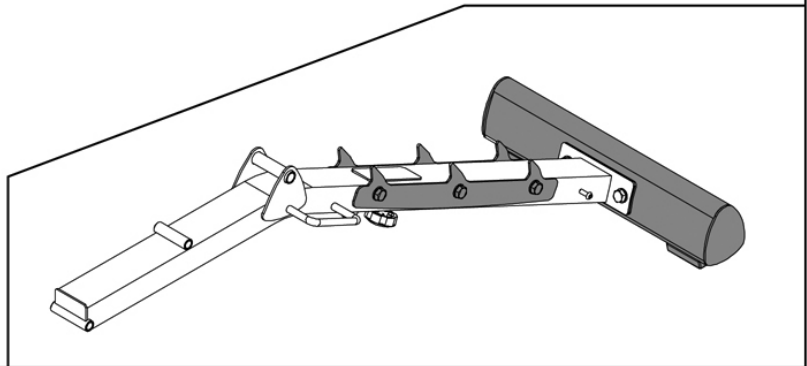


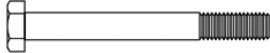

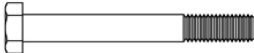



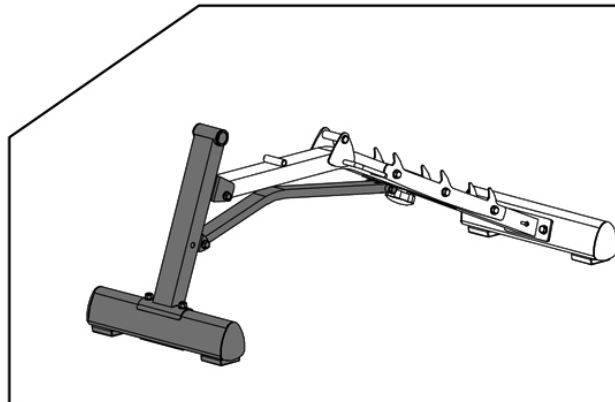
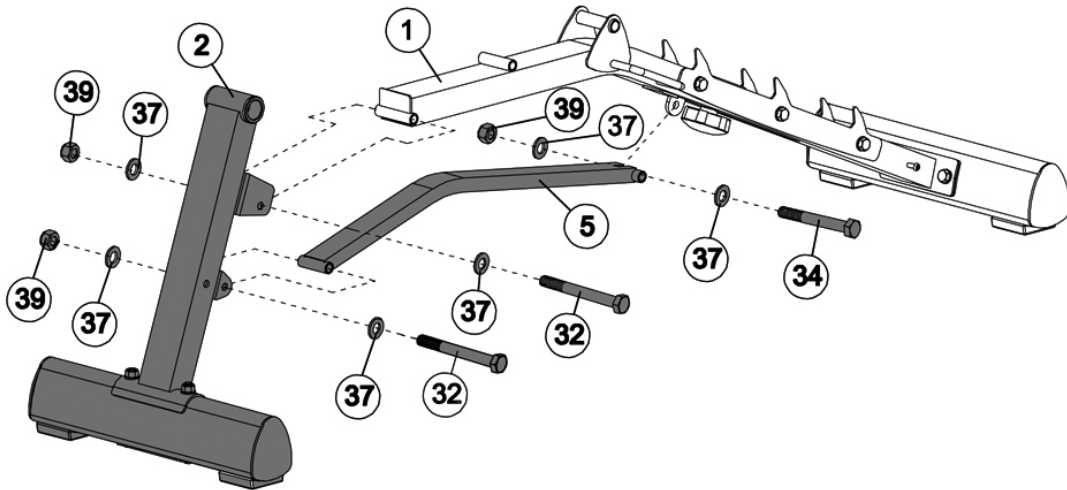
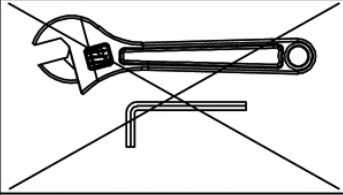
34		x3	M10x3 1/8"	29		x2	M10x3/4"
37		x8	Φ3/4"	39		x3	M10



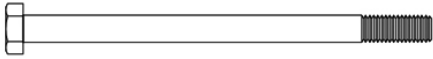
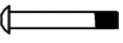





2

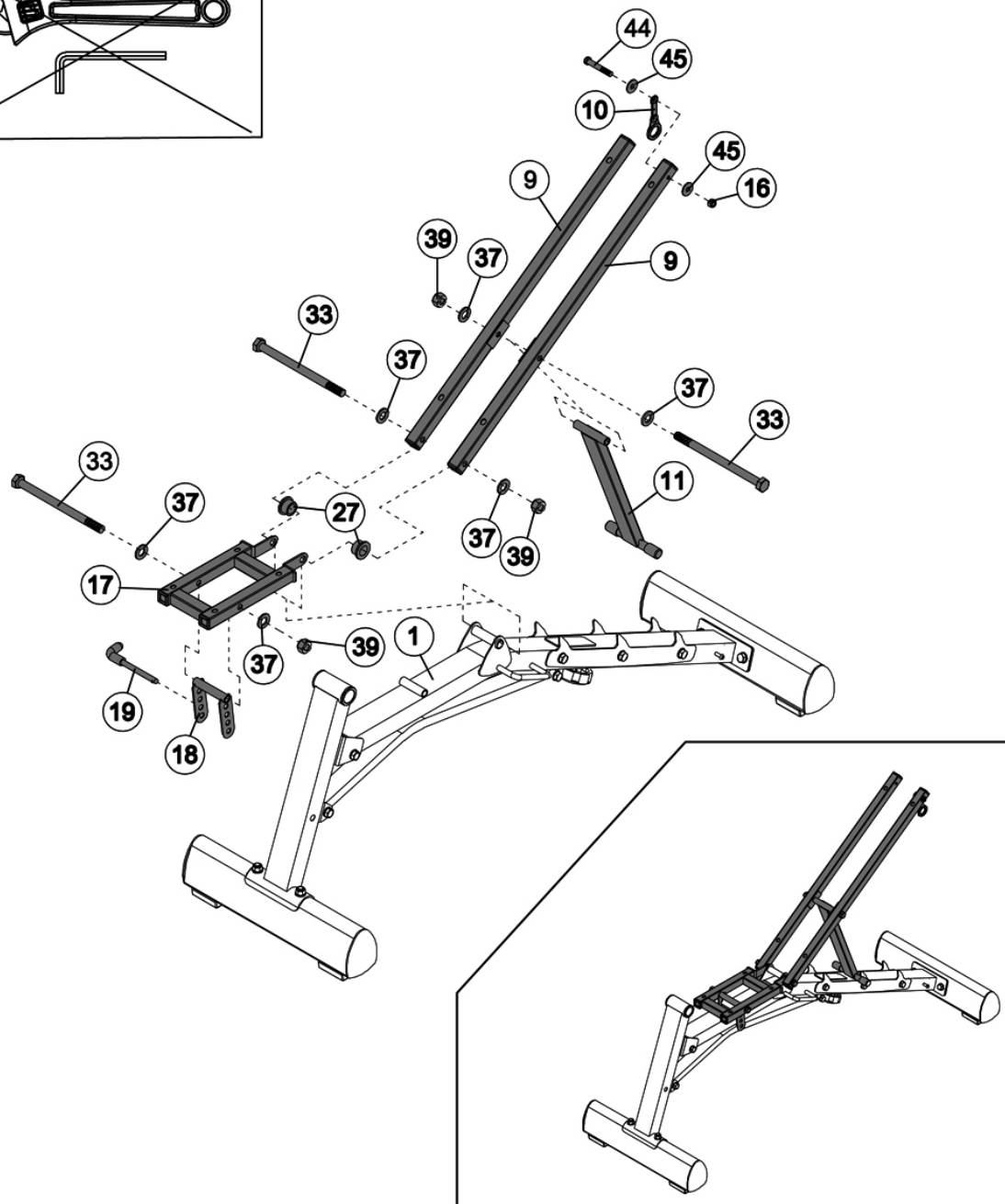
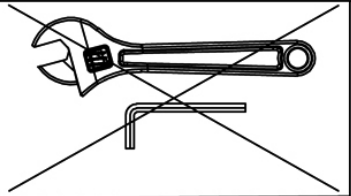


- | | | | | | | | |
|-----------|---|------------|-------------------|-----------|---|------------|--------------|
| 32 |  | × 2 | M10×3 1/2" | 37 |  | × 6 | Φ3/4" |
| 34 |  | × 1 | M10×3 1/8" | 39 |  | × 3 | M10 |



3

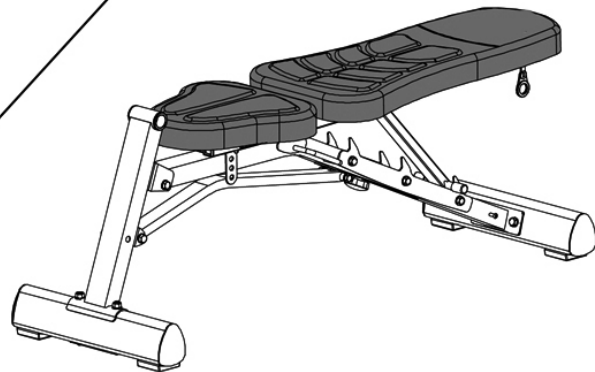
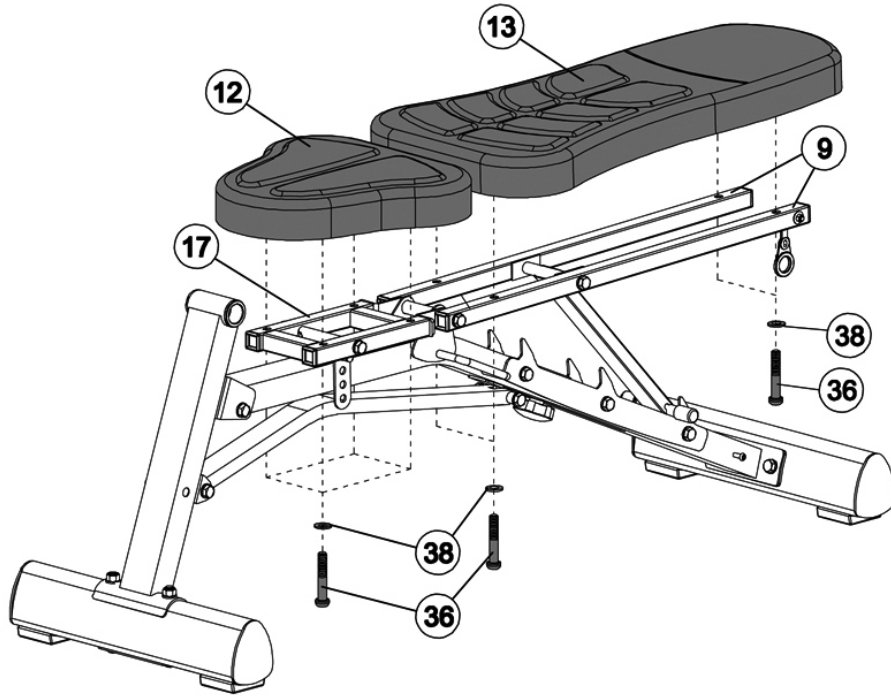
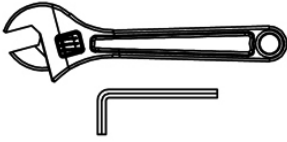
- 33  **x3** M10x6 1/8"
- 44  **x1** M6x1 5/8"
- 16  **x1** M6
- 27  **x2** $\Phi 3/4" \times \Phi 3/8"$
- 37  **x6** $\Phi 3/4"$
- 39  **x3** M10
- 45  **x2** $\Phi 3/4"$



4

36  x8 M8x1 5/8"

38  x8 $\Phi 5/8$ "

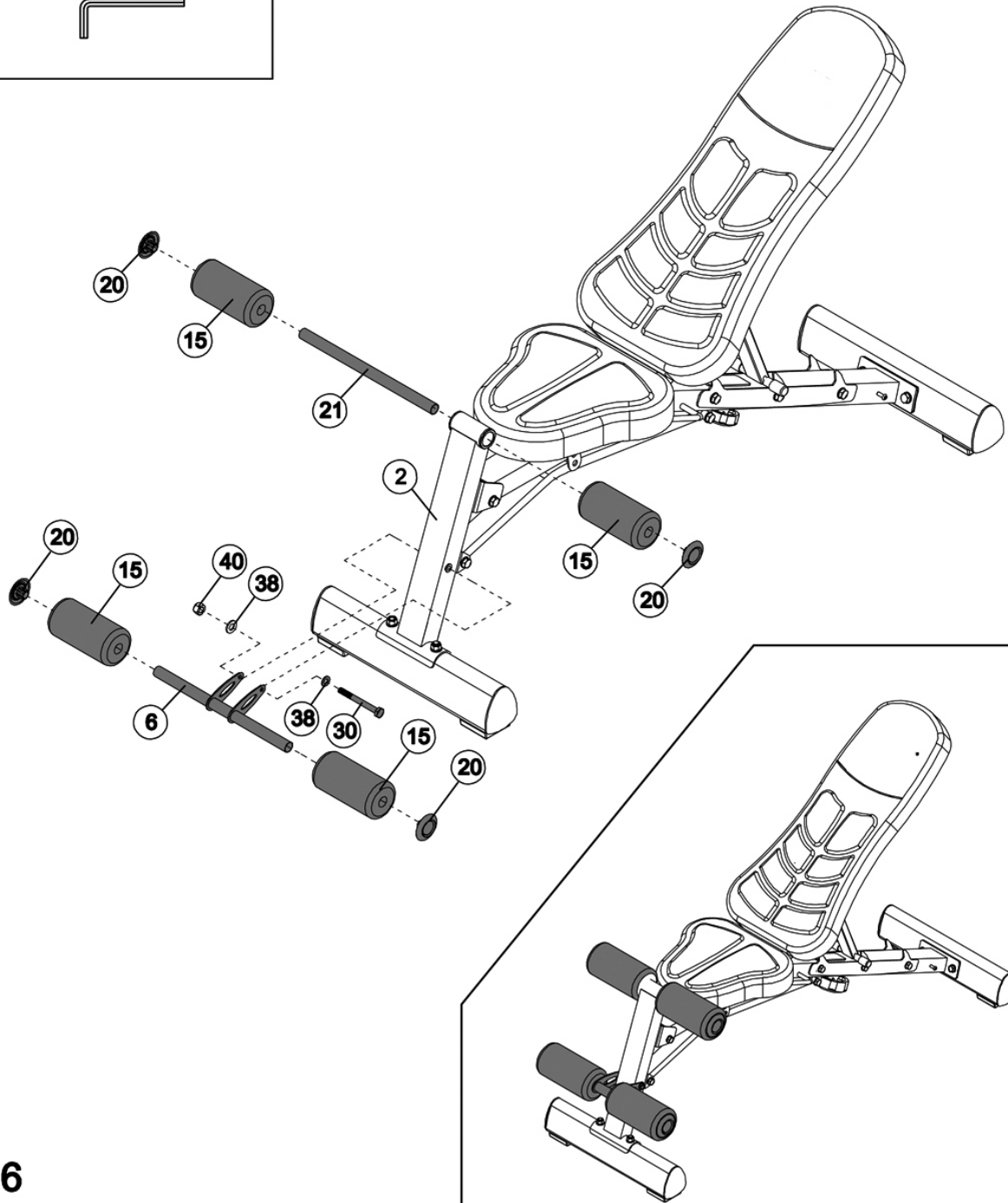
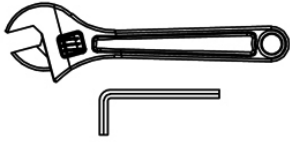


5

30  x1 M8x3 1/8"

38  x2 ϕ 5/8"

40  x1 M8



6

25

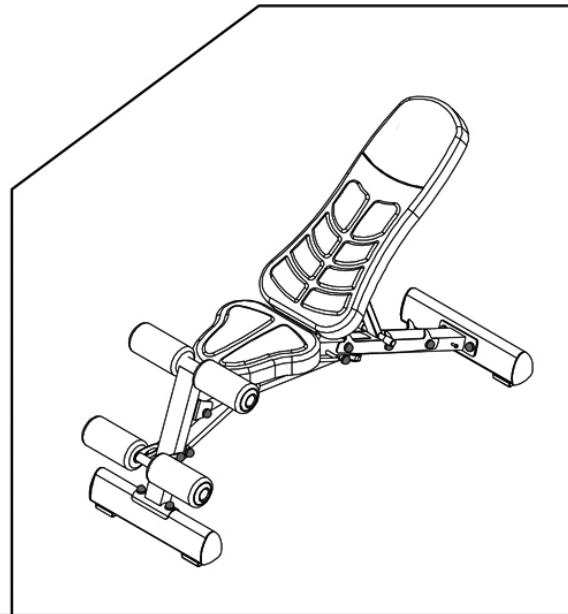
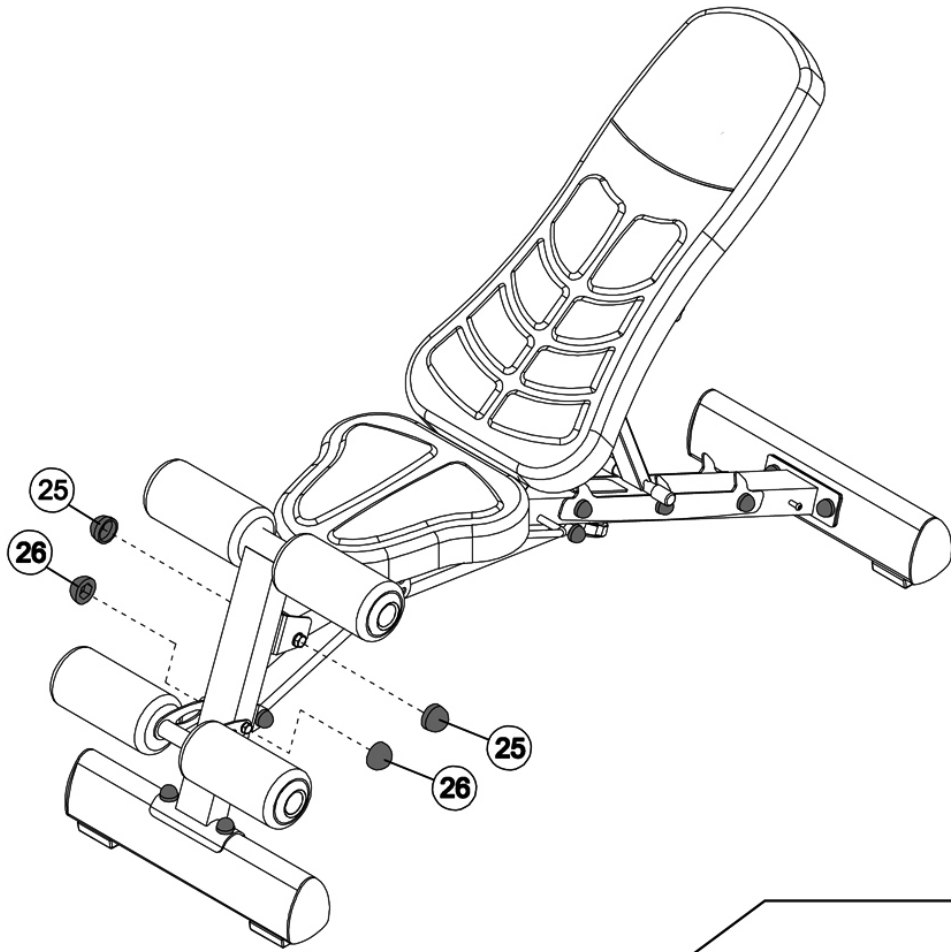


x22 M10

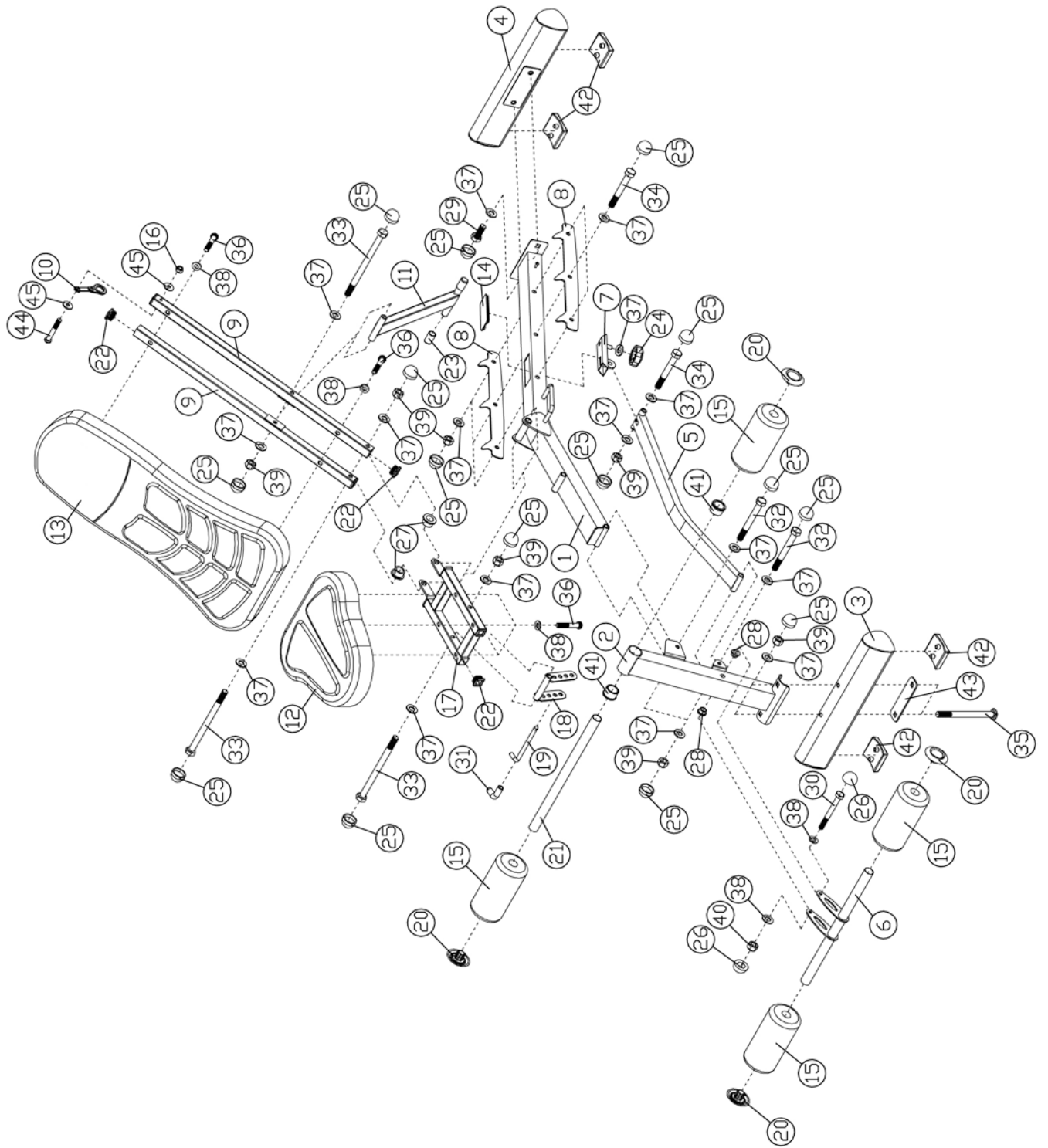
26



x2 M8



7



IMPEX® INC.

2801 South Towne Avenue, Pomona, California 91766

Tel: (800) 999-8899 Fax: (626) 961-9966

www.impex-fitness.com

support@impex-fitness.com